

Fork Mounted Drum Dumper

The ideal drum Handler to choose for emptying waste into a skip.



Use :-

Used in conjunction with used 210 litre steel drums, this attachment offers a cost-effective solution for containment and removal of scrap steel or swarf from the workshop. Steel drums can be picked up from alongside machines, transported to the scrap skip and dumped without involving any manual handling.

Model Ref.	Capacity	No. of Drums	Drum Types	A' Load Center	B' Fork Spread	C' Fork Width	D' Fork Thickness
FDD-1	500 kg	1	1	818 mm	707 mm	140 mm	50 mm

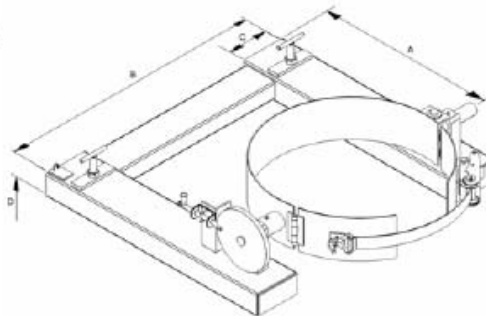
Ordering Information:-

Truck Capacity?
Fork width and thickness?
Max fork spread?
Drum type?
Drum weight?
Drum Diameter?

Drum Types



Type 1, Steel



Operation :-

In order to pick up the drum for transportation ensure that the girdle is locked in the horizontal position. The truck forks must then be positioned at a height such that the girdle fits around the centre of the drum, between the rolling hoops. The drum is secured by placing the webbing strap hook through the link provided and operating the ratchet lashing unit to tighten the girdle. Ensure that the drum is held securely before fitting.

To dump the contents of the drum, position the support arms just above the lip of the skip into which you are tipping. Pull the steel cord on the right hand side of the attachment to disengage the location pin. Drive forwards. The drum will contact the skip and as you continue forwards the momentum will rotate the drum on its trunnions. Once the side of the skip is approximately halfway between the pivot point and the base of the drum, the support arms should be lowered onto the skip side. This will angle the drum sufficiently for it to dump the contents.

Model Ref.	Weight	C of G
FDD-1	70 kg	510 mm



HoistQuip Ltd
Cartmel Drive
Harlescott Industrial Estate
Shrewsbury
Shropshire
England
T 01743 446666
F 01743 442448
enquiries@hoistquip.co.uk
www.hoistquip.co.uk