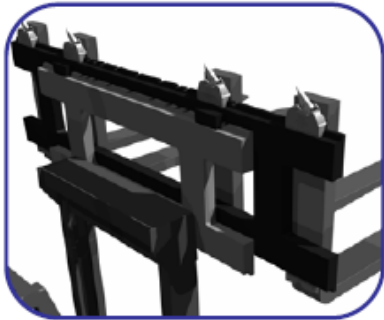


False Carriages

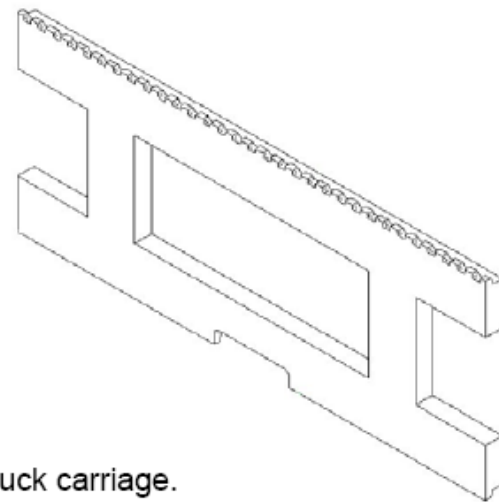
False Carriages designed to increase carriage width.



Use:-

Designed to hang on to the existing fork truck carriage to extend the width, to allow a wider fork spread or allow four forks to be hung onto the carriage.

Model Reference	Carriage Width (mm)	Class	LLC (mm)	Weight (Kg)
EWC2-1200	1200	2	60	115
EWC2-1500	1500	2	60	134
EWC2-1800	1800	2	60	155
EWC2-2000	2000	2	70	176
EWC2-2500	2500	2	70	218
EWC3-1200	1200	3	70	130
EWC3-1500	1500	3	70	163
EWC3-1800	1800	3	70	196
EWC3-2000	2000	3	70	232
EWC3-2500	2500	3	80	336
EWC4-1500	1500	4	80	241
EWC4-1800	1800	4	80	321
EWC4-2000	2000	4	80	385
EWC4-2500	2500	4	80	460



Ordering Information

Carriage class of truck

Maximum useable width of existing truck carriage.

Useable width required on adaptor carriage.

Truck Capacity

HoistQuip Ltd

Cartmel Drive

Harlescott Industrial Estate

Shrewsbury

Shropshire

England

T 01743 446666

F 01743 442448

enquiries@hoistquip.co.uk

www.hoistquip.co.uk