

# Carriage Mounted Easi-Reach Jib

The ideal solution for dedicated fork trucks lifting varying loads at varying load centres.



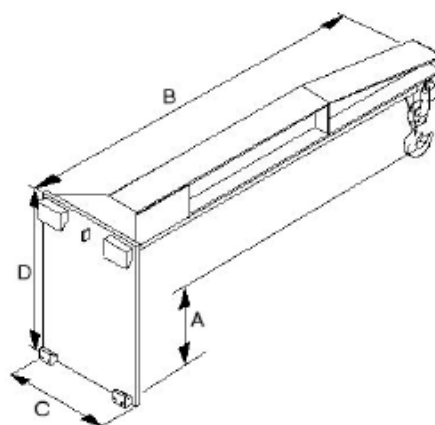
## Use :-

Standard Jib for mounting direct onto the truck carriage. Supplied c/w hook and shackle.  
Revised beam profile allows access in confined spaces.

Model Ref.	Truck Capacity	A Hook Height	B Last Hole	Carriage Class	C Carriage width	D Carriage height
ERJ500-0.8	1000 kg	38 mm	1750 mm	2	400 mm	500 mm
ERJ500-1.0	1300 kg	38 mm	1750 mm	2	400 mm	500 mm
ERJ500-1.3	1500 kg	17 mm	1750 mm	2	400 mm	500 mm
ERJ500-1.8	2000 kg	-2 mm	1750 mm	2	400 mm	500 mm
ERJ500-2.2	2500 kg	1 mm	1750 mm	2	400 mm	500 mm
ERJ500-2.7	3000 kg	234 mm	1750 mm	3	500 mm	600 mm
ERJ500-3.1	3500 kg	221 mm	1750 mm	3	500 mm	600 mm
ERJ500-3.5	4000 kg	195 mm	1750 mm	3	500 mm	600 mm
ERJ500-4.4	5000 kg	185 mm	1750 mm	4	500 mm	750 mm
ERJ500-5.0	5500 kg	185 mm	1750 mm	4	500 mm	750 mm
ERJ500-5.5	6000 kg	44 mm	1750 mm	4	500 mm	750 mm

Model Ref.	Weight	C of G
ERJ500-0.8	75 kg	450 mm
ERJ500-1.0	80 kg	450 mm
ERJ500-1.3	83 kg	450 mm
ERJ500-1.8	83 kg	602 mm
ERJ500-2.2	88 kg	602 mm

ERJ500-2.7	95 kg	715 mm
ERJ500-3.1	98 kg	730 mm
ERJ500-3.5	120 kg	765 mm
ERJ500-4.4	130 kg	920 mm
ERJ500-5.0	145 kg	970 mm
ERJ500-5.5	150 kg	1070 mm



Model Ref.	Truck Capacity	Capacity (kg) at Load Centers (mm) shown					
		500mm	750 mm	1000 mm	1250 mm	1500 mm	1750 mm
500-0.8	1000 kg	800	650	500	380	310	230
500-1.0	1300 kg	1000	800	630	470	388	280
500-1.3	1500 kg	1300	900	680	500	450	380
500-1.8	2000 kg	1800	1400	1100	900	720	580
500-2.2	2500 kg	2200	1800	1400	1100	1000	850
500-2.7	3000 kg	2700	2050	1450	1200	1100	900
500-3.1	3500 kg	3100	2500	1900	1500	1200	1000
500-3.5	4000 kg	3500	2700	2000	1600	1300	1100
500-4.4	5000 kg	4400	3400	2700	2200	1850	1400
500-5.0	5500 kg	5000	3650	2950	2500	2200	1850
500-5.5	6000 kg	5500	4050	3250	2750	2400	2050

## HoistQuip Ltd

Cartmel Drive  
Harlescott Industrial Estate  
Shrewsbury  
Shropshire  
England  
T 01743 446666  
F 01743 442448  
enquiries@hoistquip.co.uk  
[www.hoistquip.co.uk](http://www.hoistquip.co.uk)