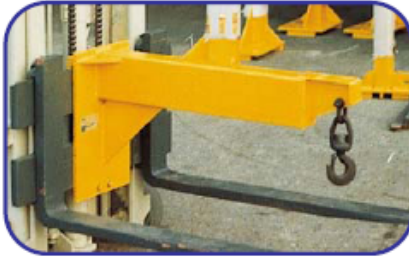


Carriage Mounted Econo-Jib

The low-cost solution for dedicated fork trucks lifting loads at a single load centre.



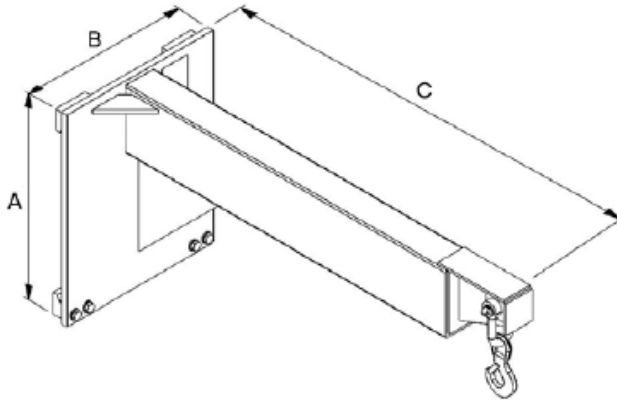
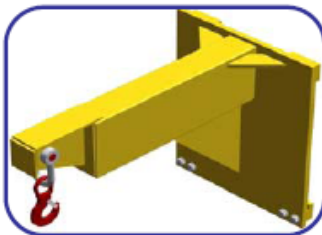
Use :-

A manually extending jib which mounts directly onto the carriage of your fork lift truck. Allows the versatility of long reach or alternatively the manoeuvrability of a shorter reach jib.

Model Ref.	Truck Capacity	Carriage Class	A	B	C
ECJ 500-0.8	1000 kg	2	500 mm	400 mm	
ECJ 500-1.3	1500 kg	2	500 mm	400 mm	
ECJ 500-1.8	2000 kg	2	500 mm	400 mm	
ECJ 500-2.2	2500 kg	2	500 mm	400 mm	
ECJ 500-2.7	3000 kg	3	600 mm	500 mm	

Ordering Information :-

Truck Capacity?
Carriage Class?
Details of load to be handled?
Length of jib required (C)?



		Capacity (kg) at Load Centers (mm) shown										
Model Ref.	Truck Capacity	500	750	1000	1250	1500	1750	2000	2250	2500	2750	3000
500-1.8	2000 kg	1800	1400	1100	900	720	580	500	380	330	280	210
500-2.2	2500 kg	2200	1800	1400	1100	1000	850	750	580	440	320	230
500-2.7	3000 kg	2700	2050	1450	1200	1100	900	840	670	490	380	270
500-3.1	3500 kg	3100	2500	1900	1500	1200	1000	900	730	580	450	370
500-3.5	4000 kg	3500	2700	2000	1600	1300	1100	1000	820	670	540	460
500-4.4	5000 kg	4400	3400	2700	2200	1850	1400	1100	900	750	620	500

HoistQuip Ltd

Cartmel Drive
Harlescott Industrial Estate
Shrewsbury
Shropshire
England

T 01743 446666

F 01743 442448

enquiries@hoistquip.co.uk

www.hoistquip.co.uk