

Drum Rotator Fork Mounted

Designed to facilitate controlled and effortless pouring of the contents of either steel or 'L' Ring plastic drums.

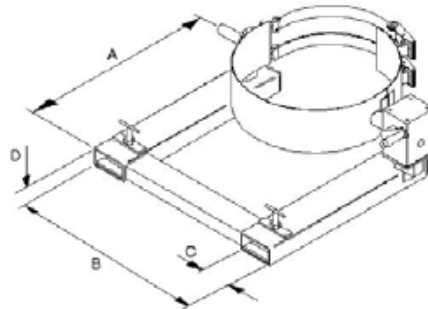


Use :-

Designed for controlled manual rotation of 210 litre drums, the attachment slides simply onto the truck forks. The gearbox allows controlled pouring and rotation through a full 360 degrees. Variations of girdle type are available to suit either steel or plastic drums. There is also a model available to suit smaller 110 litre drums.

Model Ref.	Capacity	No. of Drums	Drum Types	Type of Operation	'A' Load Center	'B' Fork Spread	'C' Fork Width	'D' Fork Thickness
DTR-1 SC	360 kg	1	1	Crank Handle	750 mm	942 mm	140 mm	50 mm
DTR-2 SC	360 kg	1	1	Loop Chain	750 mm	942 mm	140 mm	50 mm
DTR-1 DS	360 kg	1	1,2	Crank Handle	750 mm	942 mm	140 mm	50 mm
DTR-2 DS	360 kg	1	1,2	Loop chain	750 mm	942 mm	140 mm	50 mm
DTR-1-110	200 kg	1	1	Crank Handle	750 mm	751 mm	140 mm	50 mm
DTR-2-110	200 kg	1	1	Loop chain	750 mm	751 mm	140 mm	50 mm

Model Ref.	Weight	C of G
DTR-1 SC	90 kg	510 mm
DTR-2 SC	96 kg	510 mm
DTR-1 DS	92 kg	510 mm
DTR-2 DS	98 kg	510 mm
DTR-1-110	84 kg	310 mm
DTR-2-110	90 kg	310 mm



Ordering Information :-

Truck Capacity?
Fork width and thickness?
Max fork spread?
Drum type?
Drum weight?
Drum Diameter?

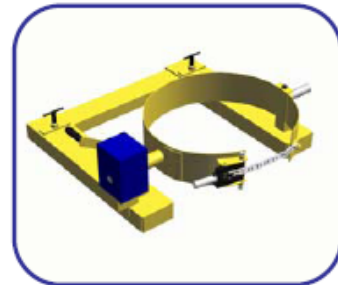
Drum Types



Type 1, Steel



Type 2, L Ring



Operation :-

In order to pick up the drum for transportation or pouring, set the girdle to the horizontal position by using the handle or chain fitted to the geared Turning Unit/gear box. The truck forks must then be positioned at a height such that the girdle fits around the centre of the drum, between the rolling hoops. Ensure that the drum is held securely before lifting. Once lifted into the pouring position, the drum is rotated by means of the handle or continuous loop chain. The worm gear locks the drum at any desired angle.

HoistQuip Ltd

Cartmel Drive
Harlescott Industrial Estate
Shrewsbury
Shropshire
England

T 01743 446666

F 01743 442448

enquiries@hoistquip.co.uk

www.hoistquip.co.uk