

Carriage Mounted Coil Boom

The ideal solution for dedicated fork trucks handling coils.



Use :-

Designed for handling heavy coiled or cylindrical products such as steel coils, coils of wire, concrete pipes etc.

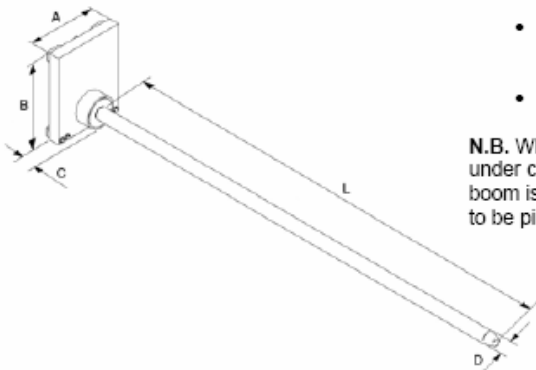
Model Ref.	Class 2		Class 3		C	D	L	Capacity @ 500 mm
	A	B	A	B				
CMB 50	400 mm	500 mm	500 mm	600 mm	60 mm	50 mm		880 kg
CMB 65	400 mm	500 mm	500 mm	600 mm	80 mm	65 mm		1750 kg
CMB 70	400 mm	500 mm	500 mm	600 mm	140 mm	70 mm		2300 kg
CMB 75	400 mm	500 mm	500 mm	600 mm	140 mm	75 mm		3000 kg
CMB 90	400 mm	540 mm	400 mm	640 mm	140 mm	90 mm		4000 kg

Ordering Information :-

- Truck capacity?
- Carriage Class?
- Type of product to be handled?
- Weight of product to be handled?
- Length of product to be handled?
- Bore diameter of product to be handled?



Model Ref.	Class 4		C	D	L	Capacity @ 600 mm
	A	B				
CMB 100	400 mm	790 mm	140 mm	100 mm		5300 kg
CMB 115	400 mm	790 mm	150 mm	115 mm		7000 kg
CMB 125	400 mm	790 mm	150 mm	125 mm		8200 kg



- All booms can be fitted with "Quick-Mount" bottom hangers
- Booms for reach trucks also available

N.B. When specifying a boom for a reach truck, always check the under carriage clearance. When this is greater than 150 mm, the boom is mounted 305 mm lower in the backplate to allow carpets to be picked up at ground level.



HoistQuip Ltd
 Cartmel Drive
 Harlescott Industrial Estate
 Shrewsbury
 Shropshire
 England
 T 01743 446666
 F 01743 442448
 enquiries@hoistquip.co.uk
www.hoistquip.co.uk