

# Adjustable Snow Plough

The safe solution for clearing snow, with adjustable blade angle.



## Use :-

Simple adjustment allows the plough to sweep left right or straight ahead. Castors and rubber blade inserts are fitted as standards.

Model Ref.	A (Blade Width)	B (Blade Height)	C (Blade Radius)	D (Fork Spread)
ASP 1525 RC	1525 mm	550 mm	380 mm	835 mm
ASP 1830 RC	1830 mm	550 mm	380 mm	835 mm
ASP 2130 RC	2130 mm	550 mm	380 mm	835 mm

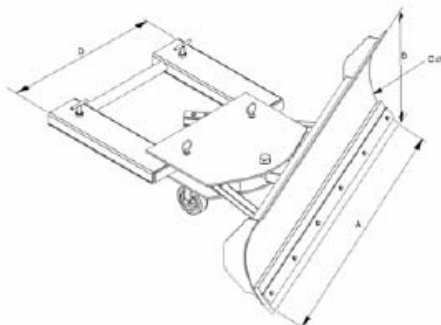
## Ordering Information :-

- Fork width and thickness?
- Max fork spread?
- Width of clearance required?



## Operation :-

Slide onto the forks of the lift truck and tighten the two screw clamps to secure the attachment to the forks. The angle of the blade can be adjusted to any one of five positions from fully left to fully right. To adjust it remove the Lynch Pins from the two vertical Drop Pins. Holding the blade in two hands adjust to one of the pre-selected positions. Replace both drop pins and lynch pins. The attachment should be pushed along with the lift chains taut, to support the weight of the forks and attachment. The castors should be in light contact with the ground.



Model Ref.	Weight	C of G
ASP 1525 RC	170 kg	950 mm
ASP 1830 RC	180 kg	975 mm
ASP 2130 RC	190 kg	995 mm



**HoistQuip Ltd**  
 Cartmel Drive  
 Harlescott Industrial Estate  
 Shrewsbury  
 Shropshire  
 England  
 T 01743 446666  
 F 01743 442448  
 enquiries@hoistquip.co.uk  
 www.hoistquip.co.uk